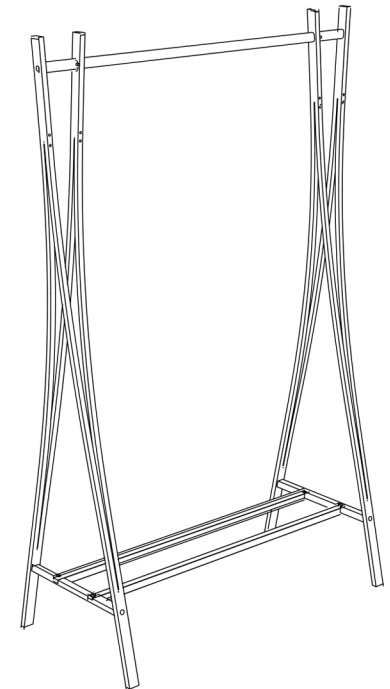
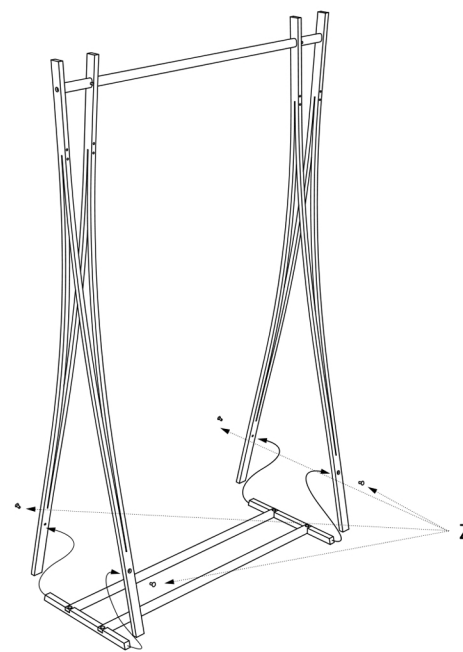
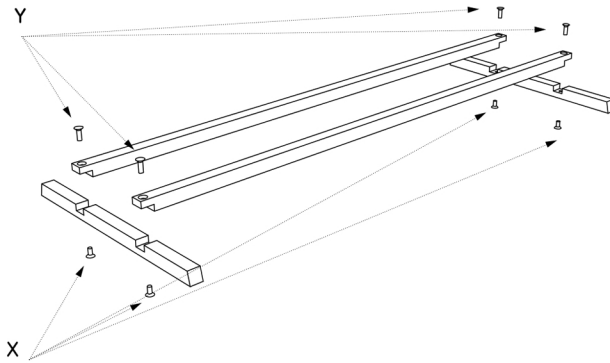
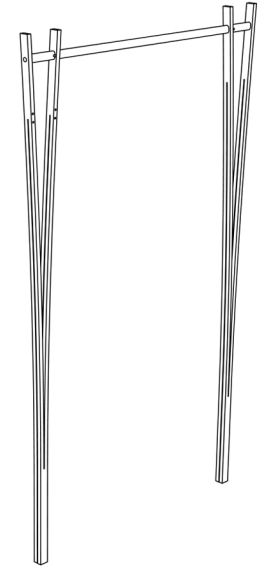
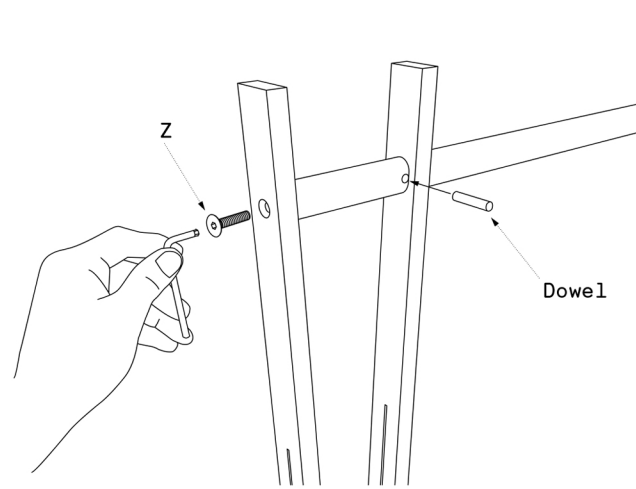
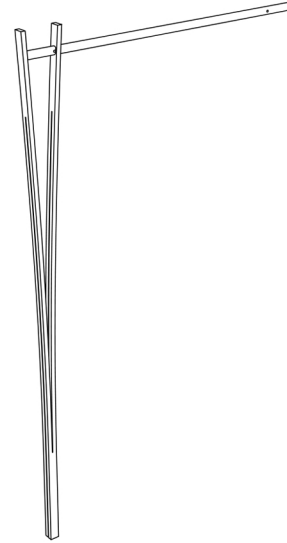


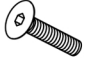
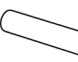


CAUTION

Do not spread the poles more than necessary. Over doing may damage the parts, and could cause injury.



X	Y	Z	Dowel
			
x4	x4	x6	x2